

## Spring Latches

**Steel, with Chamfered Pin,  
with Flange for Surface Mounting**

### SPECIFICATION

#### Types

- Type **L**: Left indexing cam
- Type **R**: Right indexing cam

#### Identification no. chamfered pin

- No. **1**: Chamfer, top
- No. **2**: Chamfer, bottom
- No. **3**: Chamfer, right
- No. **4**: Chamfer, left

#### Identification no. catch

- No. **1**: Without catch
- No. **2**: With catch

#### Guide / Catch

- Steel precision casting
  - Zinc plated, blue passivated **ZB**
  - Zinc plated and powder coated Black, RAL 9005, textured finish **SW**

#### Latch arm

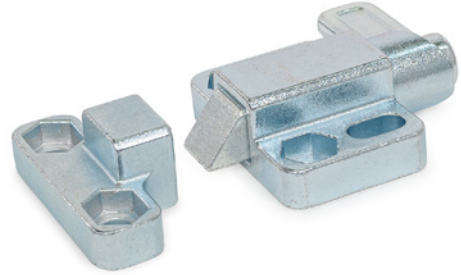
- Steel precision casting
  - Zinc plated, blue passivated for ZB / SW

#### Plunger pin

- Steel, hardened
  - Zinc plated, blue passivated for ZB / SW

#### Compression spring

Stainless steel AISI 316Ti



The notch at the upper end of the curve causes the latch to be held in place if the plunger pin needs to be kept temporarily from protruding.

The dimensional tolerances between the pin and the guide have been chosen to ensure functional reliability even in roughly dimensioned applications or in the event of soiling. The latching mechanism is pre-lubricated and can be re-lubricated if necessary.

For fastening, slotted or hex mounting holes allow the use of socket cap screws ISO 4762 and hex head screws or nuts according to DIN 931 or DIN 934.

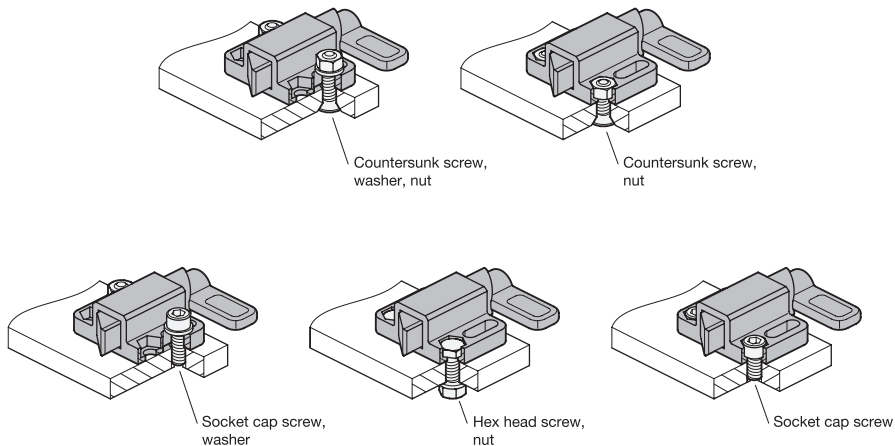
### INFORMATION

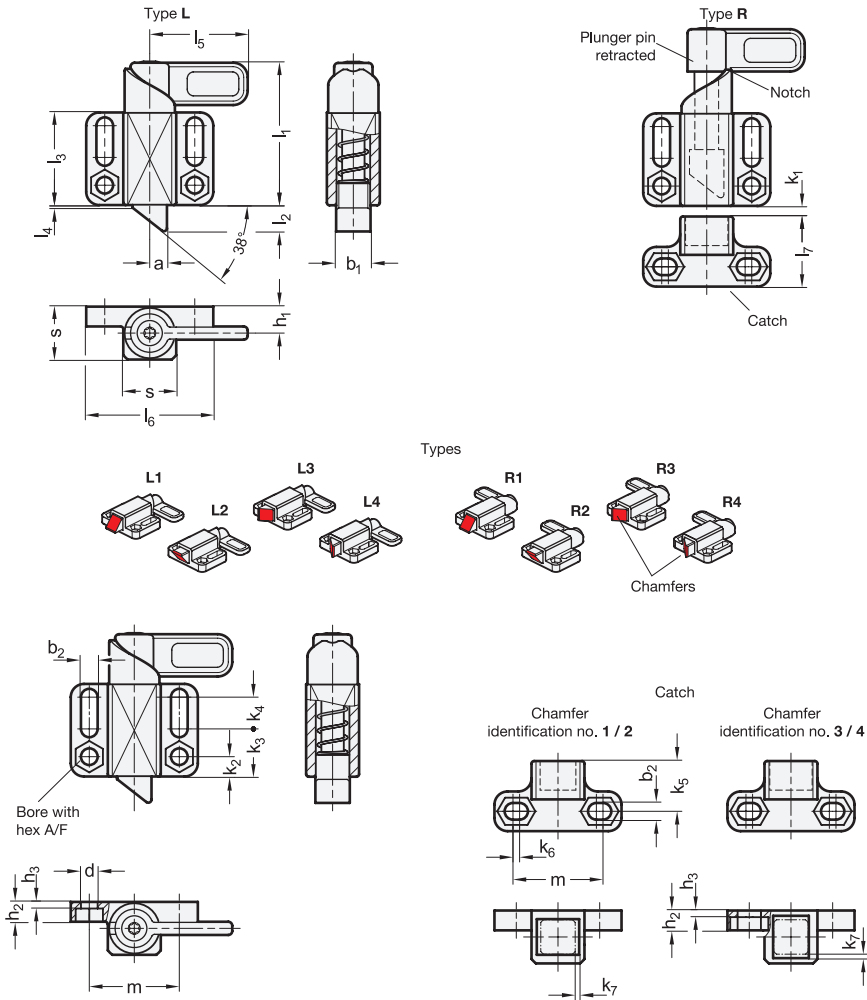
Spring latches GN 724.3 have a plunger pin with square cross-section, a latching surface on one side and a chamfer on the other. When moving in the direction of the chamfered pin, the plunger pin passes over grooves and edges, as the chamfered pin moves the plunger pin into the guide. The plunger pin automatically latches into place when moved toward the latching surface. The latching can be released by pulling the latch arm.

### TECHNICAL INFORMATION

- Application Example (see page )
- Range of Cam Action Indexing Plungers (see page 816)
- Stainless Steel Characteristics (see page A26)

### Assembly Examples





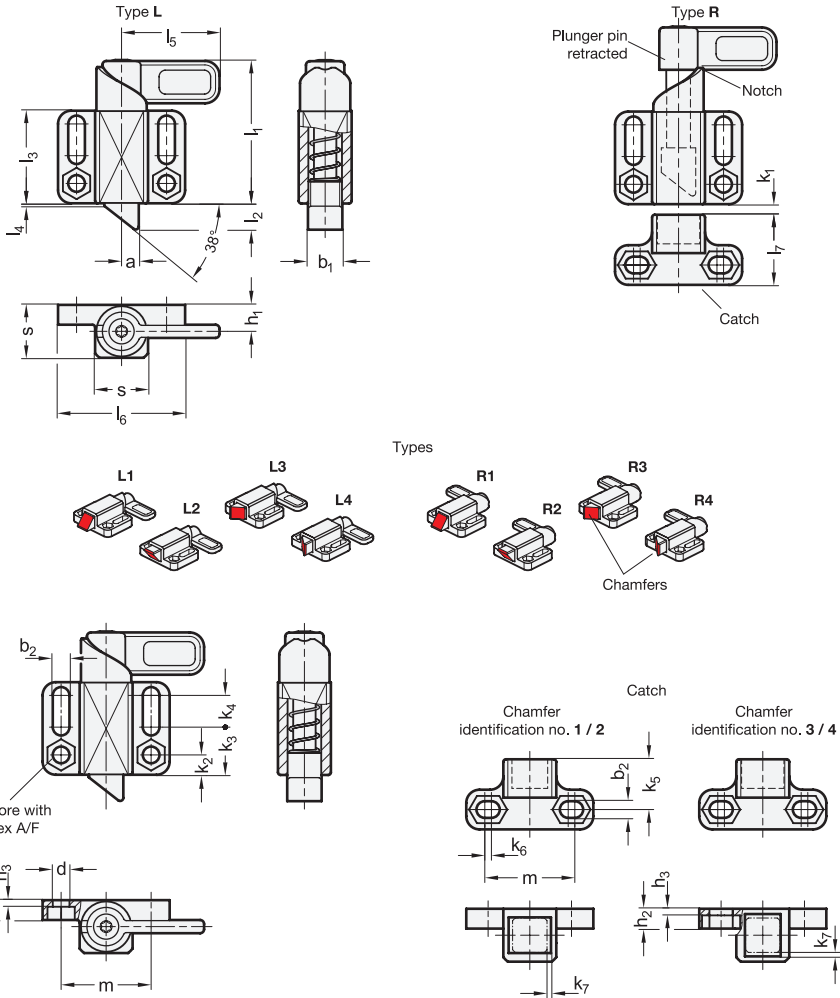
## GN 724.3-ST-L1

Description	b1	s	a	h1	k1 min.	l1 ≈	l2	l3	l4	l5	l6	l7	Spring load		b2	d	h2	h3	k2	k3	k4	k5	k6	k7	m	A/F	⚖
													in N ≈ Initial	in N ≈ End													
GN 724.3-13-20-L1-ZB-1	13	20	6.5	10	-	54	10	35	1	37	48	-	14	35	6.1	6.1	7.5	1.5	7.5	18	12	-	-	-	34	10	177
GN 724.3-13-20-L1-SW-1	13	20	6.5	10	-	54	10	35	1	37	48	-	14	35	6.1	6.1	7.5	1.5	7.5	18	12	-	-	-	34	10	177
GN 724.3-13-20-L1-ZB-2	13	20	6.5	10	1.5	54	10	35	1	37	48	26.5	14	35	6.1	6.1	7.5	1.5	7.5	18	12	19	2.5	1.5	34	10	231
GN 724.3-13-20-L1-SW-2	13	20	6.5	10	1.5	54	10	35	1	37	48	26.5	14	35	6.1	6.1	7.5	1.5	7.5	18	12	19	2.5	1.5	34	10	231
GN 724.3-20-30-L1-ZB-1	20	30	10	15	-	84	15	54	1.5	55	80	-	22	70	10.1	10.1	14	5	14	34	10	-	-	-	55	17	713
GN 724.3-20-30-L1-SW-1	20	30	10	15	-	84	15	54	1.5	55	80	-	22	70	10.1	10.1	14	5	14	34	10	-	-	-	55	17	713
GN 724.3-20-30-L1-ZB-2	20	30	10	15	2	84	15	54	1.5	55	80	40	22	70	10.1	10.1	14	5	14	34	10	27.5	3	2	55	17	951
GN 724.3-20-30-L1-SW-2	20	30	10	15	2	84	15	54	1.5	55	80	40	22	70	10.1	10.1	14	5	14	34	10	27.5	3	2	55	17	951

## GN 724.3-ST-L2

Description	b1	s	a	h1	k1 min.	l1 ≈	l2	l3	l4	l5	l6	l7	Spring load		b2	d	h2	h3	k2	k3	k4	k5	k6	k7	m	A/F	⚖
													in N ≈ Initial	in N ≈ End													
GN 724.3-13-20-L2-ZB-1	13	20	6.5	10	-	54	10	35	1	37	48	-	14	35	6.1	6.1	7.5	1.5	7.5	18	12	-	-	-	34	10	177
GN 724.3-13-20-L2-SW-1	13	20	6.5	10	-	54	10	35	1	37	48	-	14	35	6.1	6.1	7.5	1.5	7.5	18	12	-	-	-	34	10	177
GN 724.3-13-20-L2-ZB-2	13	20	6.5	10	1.5	54	10	35	1	37	48	26.5	14	35	6.1	6.1	7.5	1.5	7.5	18	12	19	2.5	1.5	34	10	231
GN 724.3-13-20-L2-SW-2	13	20	6.5	10	1.5	54	10	35	1	37	48	26.5	14	35	6.1	6.1	7.5	1.5	7.5	18	12	19	2.5	1.5	34	10	231
GN 724.3-20-30-L2-ZB-1	20	30	10	15	-	84	15	54	1.5	55	80	-	22	70	10.1	10.1	14	5	14	34	10	-	-	-	55	17	713
GN 724.3-20-30-L2-SW-1	20	30	10	15	-	84	15	54	1.5	55	80	-	22	70	10.1	10.1	14	5	14	34	10	-	-	-	55	17	713
GN 724.3-20-30-L2-ZB-2	20	30	10	15	2	84	15	54	1.5	55	80	40	22	70	10.1	10.1	14	5	14	34	10	27.5	3	2	55	17	951
GN 724.3-20-30-L2-SW-2	20	30	10	15	2	84	15	54	1.5	55	80	40	22	70	10.1	10.1	14	5	14	34	10	27.5	3	2	55	17	951





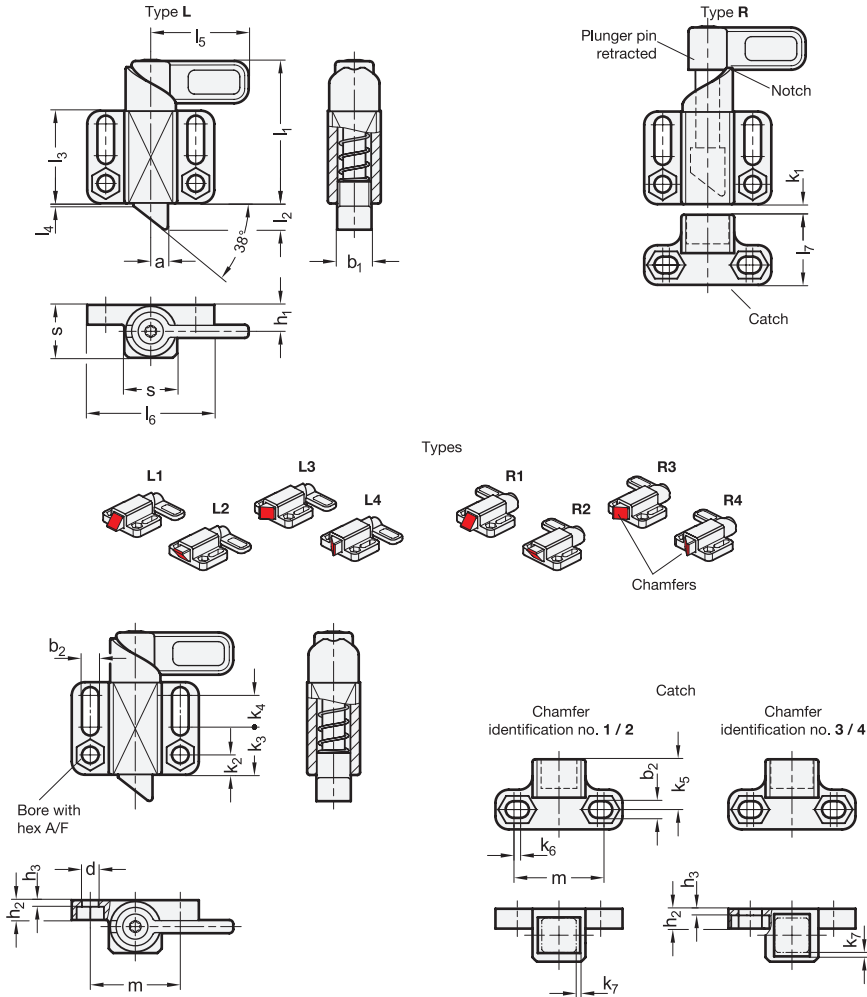
## GN 724.3-ST-L3

Description	b1	s	a	h1	k1 min.	l1 ≈	l2	l3	l4	l5	l6	l7	Spring load	Spring load	b2	d	h2	h3	k2	k3	k4	k5	k6	k7	m	A/F	△
													in N ≈ Initial	in N ≈ End													
GN 724.3-13-20-L3-ZB-1	13	20	6.5	10	-	54	10	35	1	37	48	-	14	35	6.1	6.1	7.5	1.5	7.5	18	12	-	-	-	34	10	177
GN 724.3-13-20-L3-SW-1	13	20	6.5	10	-	54	10	35	1	37	48	-	14	35	6.1	6.1	7.5	1.5	7.5	18	12	-	-	-	34	10	177
GN 724.3-13-20-L3-ZB-2	13	20	6.5	10	1.5	54	10	35	1	37	48	26.5	14	35	6.1	6.1	7.5	1.5	7.5	18	12	19	2.5	1.5	34	10	231
GN 724.3-13-20-L3-SW-2	13	20	6.5	10	1.5	54	10	35	1	37	48	26.5	14	35	6.1	6.1	7.5	1.5	7.5	18	12	19	2.5	1.5	34	10	231
GN 724.3-20-30-L3-ZB-1	20	30	10	15	-	84	15	54	1.5	55	80	-	22	70	10.1	10.1	14	5	14	34	10	-	-	-	55	17	713
GN 724.3-20-30-L3-SW-1	20	30	10	15	-	84	15	54	1.5	55	80	-	22	70	10.1	10.1	14	5	14	34	10	-	-	-	55	17	713
GN 724.3-20-30-L3-ZB-2	20	30	10	15	2	84	15	54	1.5	55	80	40	22	70	10.1	10.1	14	5	14	34	10	27.5	3	2	55	17	951
GN 724.3-20-30-L3-SW-2	20	30	10	15	2	84	15	54	1.5	55	80	40	22	70	10.1	10.1	14	5	14	34	10	27.5	3	2	55	17	951

## GN 724.3-ST-L4

Description	b1	s	a	h1	k1 min.	l1 ≈	l2	l3	l4	l5	l6	l7	Spring load	Spring load	b2	d	h2	h3	k2	k3	k4	k5	k6	k7	m	A/F	△
													in N ≈ Initial	in N ≈ End													
GN 724.3-13-20-L4-ZB-1	13	20	6.5	10	-	54	10	35	1	37	48	-	14	35	6.1	6.1	7.5	1.5	7.5	18	12	-	-	-	34	10	177
GN 724.3-13-20-L4-SW-1	13	20	6.5	10	-	54	10	35	1	37	48	-	14	35	6.1	6.1	7.5	1.5	7.5	18	12	-	-	-	34	10	177
GN 724.3-13-20-L4-ZB-2	13	20	6.5	10	1.5	54	10	35	1	37	48	26.5	14	35	6.1	6.1	7.5	1.5	7.5	18	12	19	2.5	1.5	34	10	231
GN 724.3-13-20-L4-SW-2	13	20	6.5	10	1.5	54	10	35	1	37	48	26.5	14	35	6.1	6.1	7.5	1.5	7.5	18	12	19	2.5	1.5	34	10	231
GN 724.3-20-30-L4-ZB-1	20	30	10	15	-	84	15	54	1.5	55	80	-	22	70	10.1	10.1	14	5	14	34	10	-	-	-	55	17	713
GN 724.3-20-30-L4-SW-1	20	30	10	15	-	84	15	54	1.5	55	80	-	22	70	10.1	10.1	14	5	14	34	10	-	-	-	55	17	713
GN 724.3-20-30-L4-ZB-2	20	30	10	15	2	84	15	54	1.5	55	80	40	22	70	10.1	10.1	14	5	14	34	10	27.5	3	2	55	17	951
GN 724.3-20-30-L4-SW-2	20	30	10	15	2	84	15	54	1.5	55	80	40	22	70	10.1	10.1	14	5	14	34	10	27.5	3	2	55	17	951

Indexing elements 8



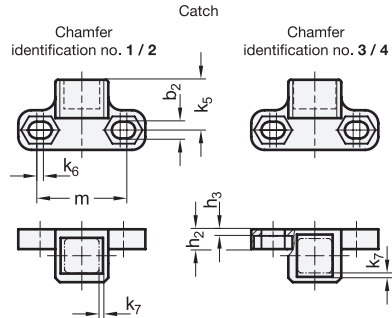
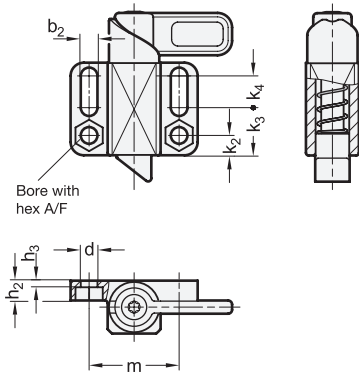
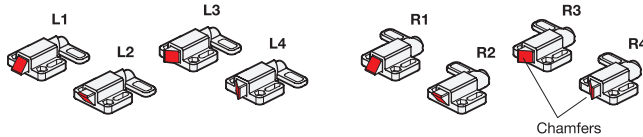
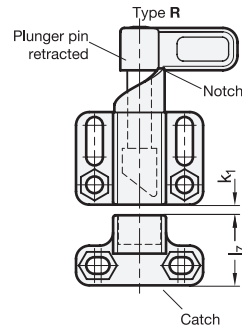
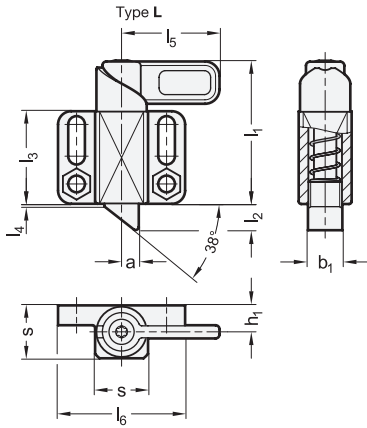
**GN 724.3-ST-R1**

Description	b1	s	a	h1	k1 min.	l1 ≈	l2	l3	l4	l5	l6	l7	Spring load		b2 +0.3	d +0.2	h2	h3	k2	k3	k4	k5	k6	k7	m	A/F	△
													in N ≈ Initial	in N ≈ End													
GN 724.3-13-20-R1-ZB-1	13	20	6.5	10	-	54	10	35	1	37	48	-	14	35	6.1	6.1	7.5	1.5	7.5	18	12	-	-	-	34	10	177
GN 724.3-13-20-R1-SW-1	13	20	6.5	10	-	54	10	35	1	37	48	-	14	35	6.1	6.1	7.5	1.5	7.5	18	12	-	-	-	34	10	177
GN 724.3-13-20-R1-ZB-2	13	20	6.5	10	1.5	54	10	35	1	37	48	26.5	14	35	6.1	6.1	7.5	1.5	7.5	18	12	19	2.5	1.5	34	10	231
GN 724.3-13-20-R1-SW-2	13	20	6.5	10	1.5	54	10	35	1	37	48	26.5	14	35	6.1	6.1	7.5	1.5	7.5	18	12	19	2.5	1.5	34	10	231
GN 724.3-20-30-R1-ZB-1	20	30	10	15	-	84	15	54	1.5	55	80	-	22	70	10.1	10.1	14	5	14	34	10	-	-	-	55	17	713
GN 724.3-20-30-R1-SW-1	20	30	10	15	-	84	15	54	1.5	55	80	-	22	70	10.1	10.1	14	5	14	34	10	-	-	-	55	17	713
GN 724.3-20-30-R1-ZB-2	20	30	10	15	2	84	15	54	1.5	55	80	40	22	70	10.1	10.1	14	5	14	34	10	27.5	3	2	55	17	951
GN 724.3-20-30-R1-SW-2	20	30	10	15	2	84	15	54	1.5	55	80	40	22	70	10.1	10.1	14	5	14	34	10	27.5	3	2	55	17	951

**GN 724.3-ST-R2**

Description	b1	s	a	h1	k1 min.	l1 ≈	l2	l3	l4	l5	l6	l7	Spring load		b2 +0.3	d +0.2	h2	h3	k2	k3	k4	k5	k6	k7	m	A/F	△
													in N ≈ Initial	in N ≈ End													
GN 724.3-13-20-R2-ZB-1	13	20	6.5	10	-	54	10	35	1	37	48	-	14	35	6.1	6.1	7.5	1.5	7.5	18	12	-	-	-	34	10	177
GN 724.3-13-20-R2-SW-1	13	20	6.5	10	-	54	10	35	1	37	48	-	14	35	6.1	6.1	7.5	1.5	7.5	18	12	-	-	-	34	10	177
GN 724.3-13-20-R2-ZB-2	13	20	6.5	10	1.5	54	10	35	1	37	48	26.5	14	35	6.1	6.1	7.5	1.5	7.5	18	12	19	2.5	1.5	34	10	231
GN 724.3-13-20-R2-SW-2	13	20	6.5	10	1.5	54	10	35	1	37	48	26.5	14	35	6.1	6.1	7.5	1.5	7.5	18	12	19	2.5	1.5	34	10	231
GN 724.3-20-30-R2-ZB-1	20	30	10	15	-	84	15	54	1.5	55	80	-	22	70	10.1	10.1	14	5	14	34	10	-	-	-	55	17	713
GN 724.3-20-30-R2-SW-1	20	30	10	15	-	84	15	54	1.5	55	80	-	22	70	10.1	10.1	14	5	14	34	10	-	-	-	55	17	713
GN 724.3-20-30-R2-ZB-2	20	30	10	15	2	84	15	54	1.5	55	80	40	22	70	10.1	10.1	14	5	14	34	10	27.5	3	2	55	17	951
GN 724.3-20-30-R2-SW-2	20	30	10	15	2	84	15	54	1.5	55	80	40	22	70	10.1	10.1	14	5	14	34	10	27.5	3	2	55	17	951





## GN 724.3-ST-R3

Description	b1	s	a	h1	k1 min.	l1 ≈	l2	l3	l4	l5	l6	l7	Spring load		b2 +0.3	d +0.2	h2	h3	k2	k3	k4	k5	k6	k7	m	A/F	△
													in N ≈ Initial	in N ≈ End													
GN 724.3-13-20-R3-ZB-1	13	20	6.5	10	-	54	10	35	1	37	48	-	14	35	6.1	6.1	7.5	1.5	7.5	18	12	-	-	-	34	10	177
GN 724.3-13-20-R3-SW-1	13	20	6.5	10	-	54	10	35	1	37	48	-	14	35	6.1	6.1	7.5	1.5	7.5	18	12	-	-	-	34	10	177
GN 724.3-13-20-R3-ZB-2	13	20	6.5	10	1.5	54	10	35	1	37	48	26.5	14	35	6.1	6.1	7.5	1.5	7.5	18	12	19	2.5	1.5	34	10	231
GN 724.3-13-20-R3-SW-2	13	20	6.5	10	1.5	54	10	35	1	37	48	26.5	14	35	6.1	6.1	7.5	1.5	7.5	18	12	19	2.5	1.5	34	10	231
GN 724.3-20-30-R3-ZB-1	20	30	10	15	-	84	15	54	1.5	55	80	-	22	70	10.1	10.1	14	5	14	34	10	-	-	-	55	17	713
GN 724.3-20-30-R3-SW-1	20	30	10	15	-	84	15	54	1.5	55	80	-	22	70	10.1	10.1	14	5	14	34	10	-	-	-	55	17	713
GN 724.3-20-30-R3-ZB-2	20	30	10	15	2	84	15	54	1.5	55	80	40	22	70	10.1	10.1	14	5	14	34	10	27.5	3	2	55	17	951
GN 724.3-20-30-R3-SW-2	20	30	10	15	2	84	15	54	1.5	55	80	40	22	70	10.1	10.1	14	5	14	34	10	27.5	3	2	55	17	951

## GN 724.3-ST-R4

Description	b1	s	a	h1	k1 min.	l1 ≈	l2	l3	l4	l5	l6	l7	Spring load		b2 +0.3	d +0.2	h2	h3	k2	k3	k4	k5	k6	k7	m	A/F	△
													in N ≈ Initial	in N ≈ End													
GN 724.3-13-20-R4-ZB-1	13	20	6.5	10	-	54	10	35	1	37	48	-	14	35	6.1	6.1	7.5	1.5	7.5	18	12	-	-	-	34	10	177
GN 724.3-13-20-R4-SW-1	13	20	6.5	10	-	54	10	35	1	37	48	-	14	35	6.1	6.1	7.5	1.5	7.5	18	12	-	-	-	34	10	177
GN 724.3-13-20-R4-ZB-2	13	20	6.5	10	1.5	54	10	35	1	37	48	26.5	14	35	6.1	6.1	7.5	1.5	7.5	18	12	19	2.5	1.5	34	10	231
GN 724.3-13-20-R4-SW-2	13	20	6.5	10	1.5	54	10	35	1	37	48	26.5	14	35	6.1	6.1	7.5	1.5	7.5	18	12	19	2.5	1.5	34	10	231
GN 724.3-20-30-R4-ZB-1	20	30	10	15	-	84	15	54	1.5	55	80	-	22	70	10.1	10.1	14	5	14	34	10	-	-	-	55	17	713
GN 724.3-20-30-R4-SW-1	20	30	10	15	-	84	15	54	1.5	55	80	-	22	70	10.1	10.1	14	5	14	34	10	-	-	-	55	17	713
GN 724.3-20-30-R4-ZB-2	20	30	10	15	2	84	15	54	1.5	55	80	40	22	70	10.1	10.1	14	5	14	34	10	27.5	3	2	55	17	951
GN 724.3-20-30-R4-SW-2	20	30	10	15	2	84	15	54	1.5	55	80	40	22	70	10.1	10.1	14	5	14	34	10	27.5	3	2	55	17	951